



Pattern Collection: Women



Hidden Treasure Poncho

Designed by Universal Yarn Design Team

SIZE

One size fits most.

FINISHED MEASUREMENTS

Width: 37"

Length: 23"

MATERIALS

Universal Yarn Major (100% acrylic;
200g/328 yds)

- 120 Lagoon – 3 skeins

Needles: US Size 10 (6 mm) 16" & 32"
circular *or size needed to obtain gauge*

US Size 9 (5.5 mm) 16" circular

US Size 10½ (6.5 mm) 16" circular

Notions: Stitch marker, tapestry needle

GAUGE

14 sts x 16 rows = 4" in Lace Rib patt

Save time, check your gauge.

Knit. Relax. Smile. Repeat!

2017 © Universal Yarn, Inc.

All rights reserved.

This pattern may not be reproduced for business, trade or sale.

PATTERN NOTES

This poncho is worked in two pieces and then seamed at the shoulders. The collar is then picked up and worked in the round from the neckline up.

STITCH GUIDE

Lace Rib

(multiple of 5 sts + 3)

Note: The stitch count changes from row to row.

Each pattern repeat gains one stitch in Row 1.

This stitch is decreased away in Row 4.

Row 1 (RS): [K3, p2] 2 times, * k3, yo, p2; rep from * to last 8 sts, k3, p2, k3.

Row 2 (WS): [P3, k2] 2 times, * p4, k2; rep from * to last 8 sts, p3, k2, p3.

Row 3: [K3, p2] 2 times, * k1, k2tog, yo, k1, p2; rep from * to last 8 sts, k3, p2, k3.

Row 4: [P3, k2] 2 times, * p2, p2tog, k2; rep from * to last 8 sts, p3, k2, p3.

Row 5: [K3, p2] 2 times, * k1, yo, k2tog, p2; rep from * to last 8 sts, k3, p2, k3.

Row 6: [P3, k2] 2 times, * p3, k2; rep from * to last 8 sts, p3, k2, p3.

Rep Rows 1-6 for pattern.

PONCHO

Back

With longer US size 10 (6 mm) needle, cast on 128 sts.

Row 1 (WS): P3, * k2, p3; rep from * to end.

Row 2 (RS): K3, * p2, k3; rep from * to end.

Rows 3-7: Rep Rows 1 & 2, 2 more times, then work Row 1 again.

Work in Lace Rib patt until piece meas 23", ending with Row 6 of patt. Bind off all sts.

Front

Work as for back until piece meas 20", ending with Row 6 of patt.

Shape Front Neck

Place markers on either side of 18 center sts.

Next row (RS): Work in established patt to marked center sts, join another ball of yarn and bind off center 18 sts, work in established patt to end.

Working both sides at once with separate balls of yarn, work 17 more rows in established patt. Bind off.

FINISHING

Sew Front to Back at shoulder seams.

Collar

With US size 9 (5.5 mm) circular needle, starting at right shoulder seam with RS facing, pick up and knit 18 sts across back neck, 12 sts down left front neck, 18 sts across center front neck, and 12 sts up right front neck – 60 sts. PM and join to work in the rnd.

Rnd 1: * P3, k2; rep from * to end.

Rep this rnd until collar meas 2".

Change to US size 10 (6 mm) 16" circular needle. Continue in established ribbing until collar meas 4".

Change to US size 10½ (6.5 mm) 16" circular needle. Continue in established ribbing until collar meas 6".

Bind off loosely. Weave in ends and block.

Abbreviations

k	knit
k2tog	knit 2 stitches together
meas	measures
p	purl
patt	pattern
pm	place marker
p2tog	purl 2 stitches together
rep	repeat
RS	right side
rnd(s)	round(s)
st(s)	stitch(es)
WS	wrong side
yo	yarn over

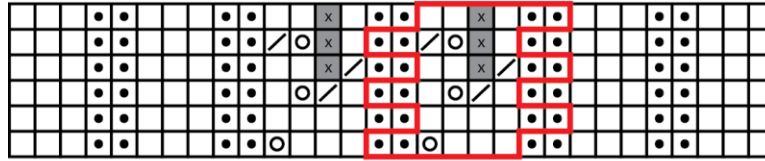
Knit. Relax. Smile. Repeat!

2017 © Universal Yarn, Inc.

All rights reserved.

This pattern may not be reproduced for business, trade or sale.

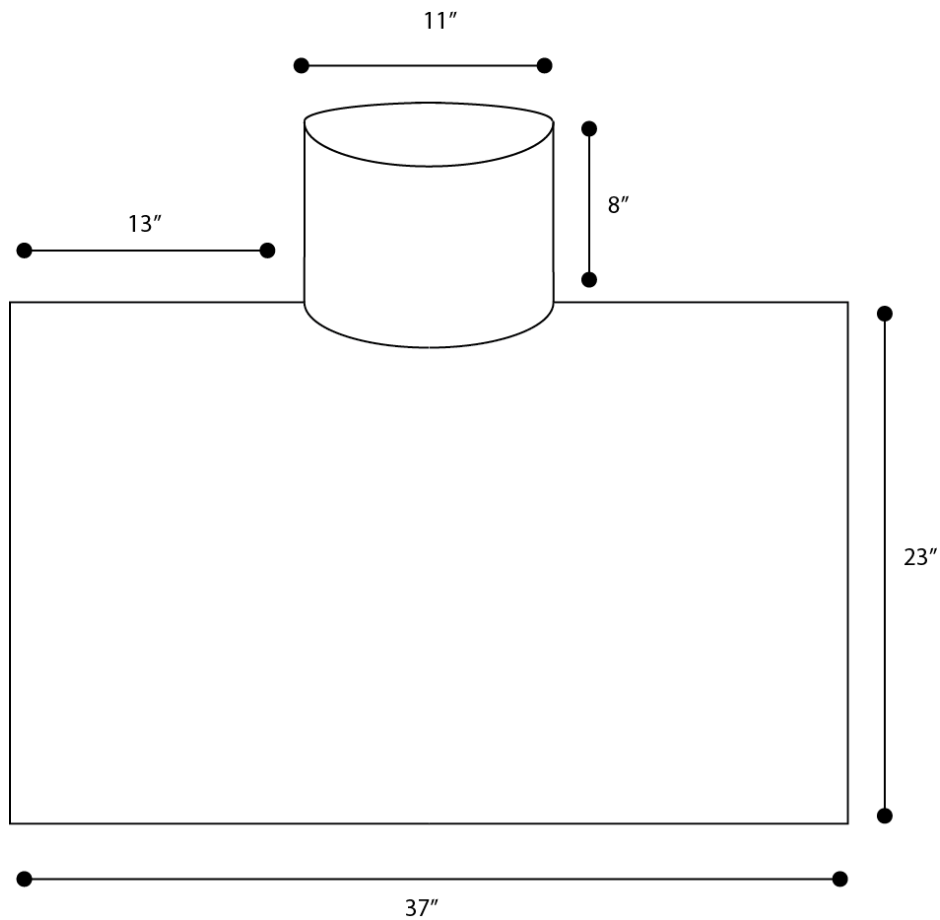
Lace Rib



6-st patt rep
2 reps shown

Key

- knit on RS, purl on WS
- purl on RS, knit on WS
- yo
- k2tog on RS, p2tog on WS
- no stitch
- pattern repeat



Knit. Relax. Smile. Repeat!

2017 © Universal Yarn, Inc.
All rights reserved.

This pattern may not be reproduced for business, trade or sale.